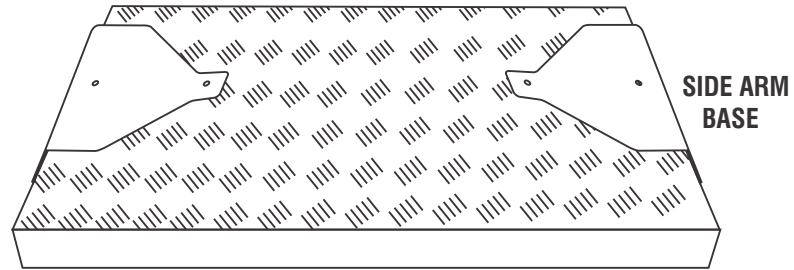
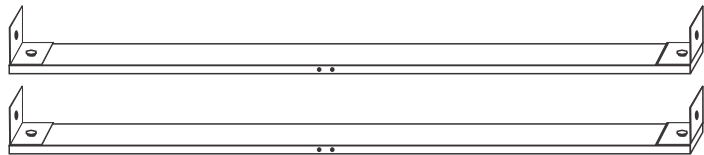




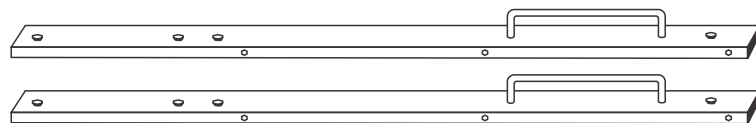
BILL OF MATERIALS



BASE FRAME



CROSS SUPPORT - 1 SET



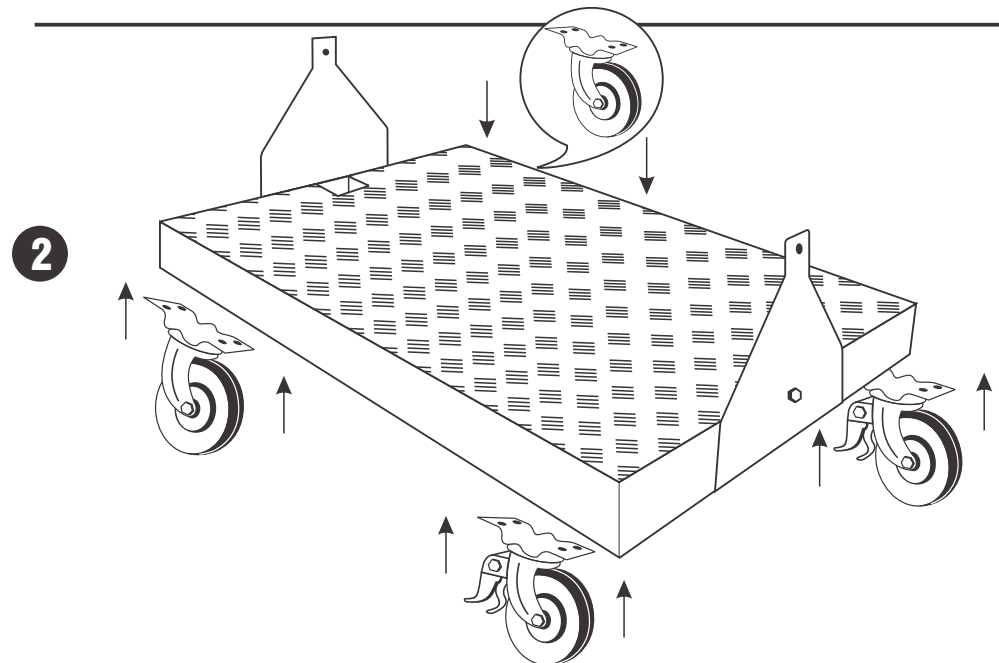
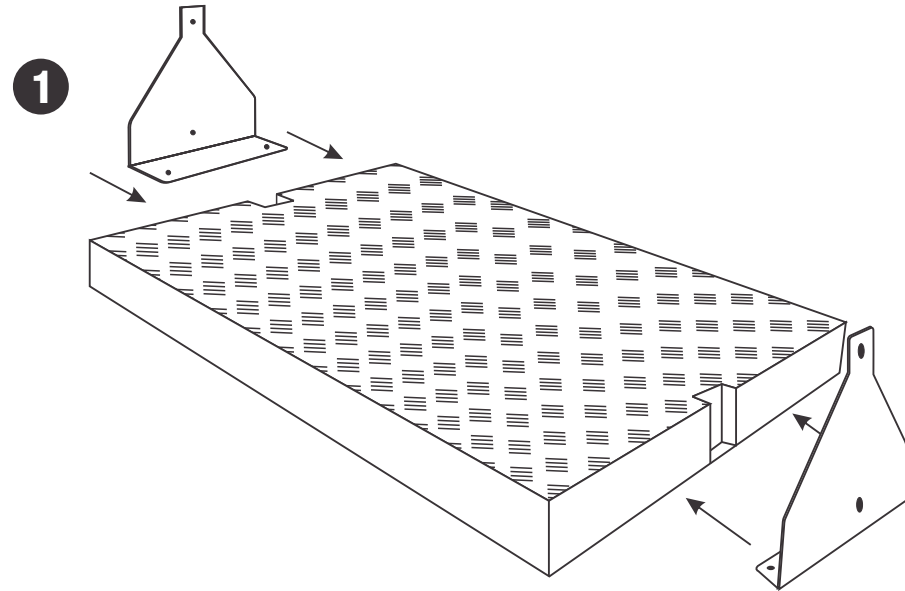
SIDE ARM - 1 SET



CASTORS - 1 SET (2 LOCK + 2 W/O LOCK)



NUT & BOLTS INCLUDED



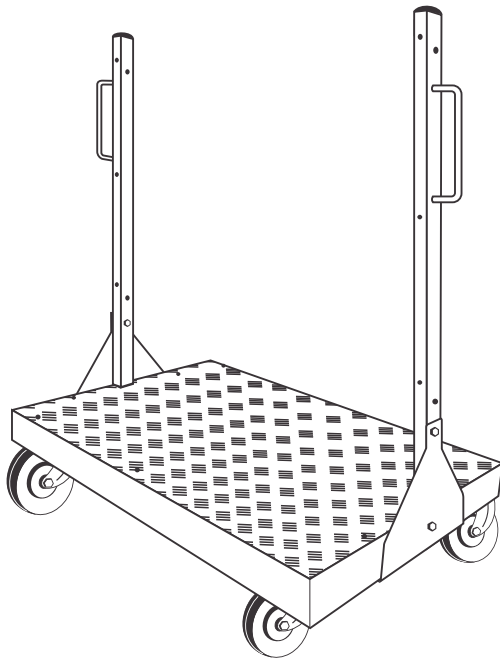


ALKON[®]

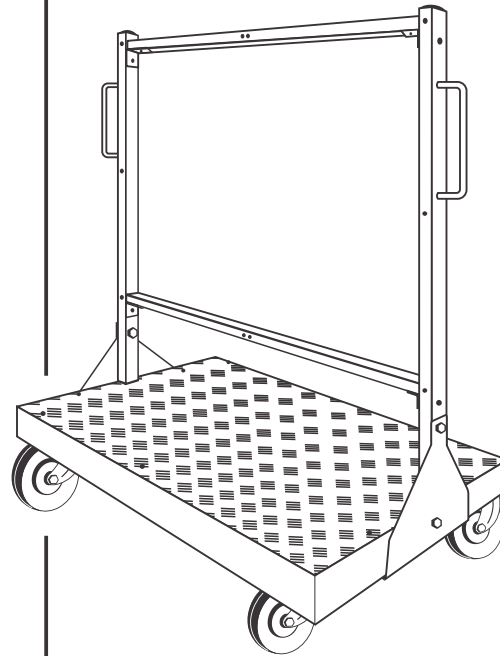
MATERIAL HANDLING - ESD - OFFICE PRODUCTS

MOUNTING INSTRUCTIONS FOR SHOP FLOOR TROLLEY SINGLE OR DOUBLE SIDED

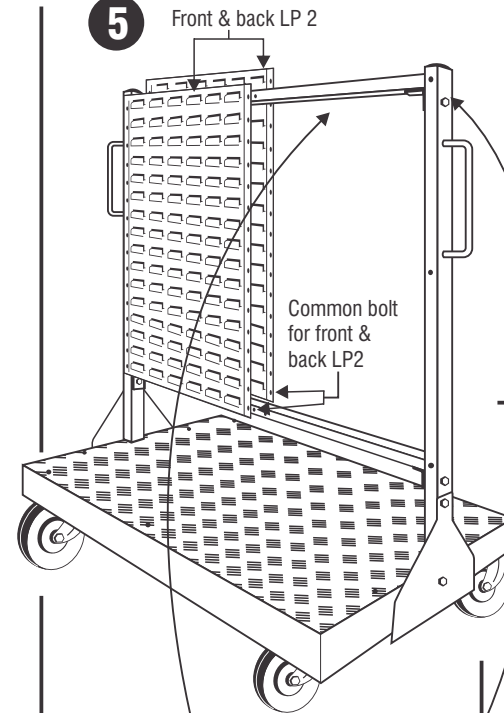
3



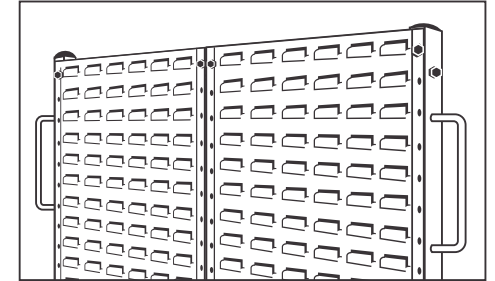
4



5

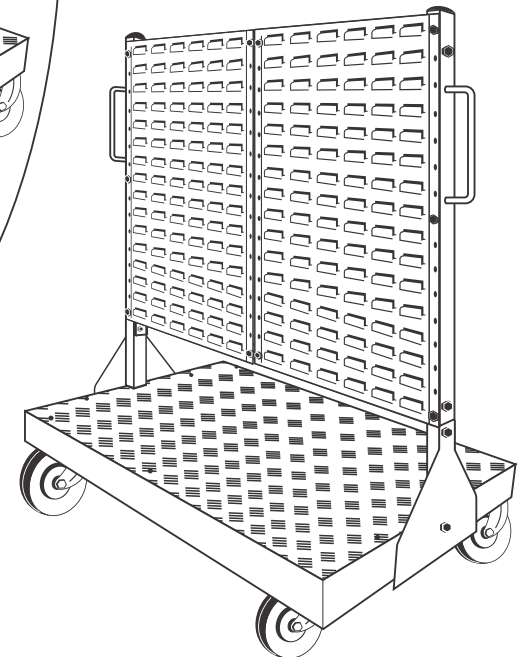


LP 2 4 NOS. DOUBLE SIDED



6

Complete Trolley



LP2
FRONT

LP2
BACK

LP2 2 Nos For Single Sided Trolley
LP2 4 Nos For Double Sided Trolley